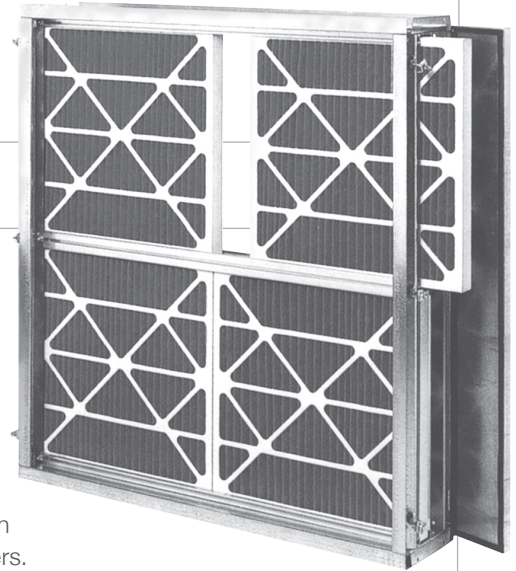


SurePleat™

SIDE ACCESS FILTER HOUSINGS



- Units are constructed of durable 16-gauge galvanized steel
- “Z” channel support members reinforce all four corners
- All tracks and doors are fully gasketed
- Holding frames or fasteners are not required

Options

- Double-walled insulation on doors only or on entire housing
- Drain tubes for moisture separators
- Flanges to connect with air handlers
- 1” wide track for 6” headered filters
- 4” track
- Aluminum or 304 stainless steel construction

SurePleat side access filter housings are minimum depth units designed to accommodate ASHRAE rated filters that are 2” (standard), 4”, or 6” (optional) in depth. They are factory assembled flanged units suitable for installation in a duct or next to an air handling unit. As little as 12” of inline depth are required with no need for holding frames or fasteners.

SurePleat housings accommodate filters of different types and efficiencies up to 95% per ASHRAE Standard 52.1 dust spot test methods and ASHRAE 52.2 Test Standards. Filters are easily serviced through quick-opening access doors. Factory-gasketed channels and doors ensure positive sealing. The efficiency of fully-loaded housings is equal to that of the individual filters.

Versatility

Both prefilter and final filter requirements can be accomplished by using the combination 2”/4” track. SurePleat housings are available in a wide range of sizes, up to 8 feet high and 12 feet wide. They can operate at face velocities up to 625 FPM with 4” filters.

Construction

Housings are constructed of 16-gauge galvanized steel with upstream and downstream outwardly turned flanges. Units include “Z” channel vertical support members on all four corners.

Filter tracks are extruded aluminum and are gasketed with replaceable polypropylene pile air seals. Housings are equipped with two access doors that are sealed with neoprene gasketing on the perimeter. Doors are equipped with 1½” positive sealing knobs made of UV-resistant plastic with corrosion resistant brass inserts. Construction of the top pan allows rainwater to drain off easily, so that additional weather proofing is rarely required.

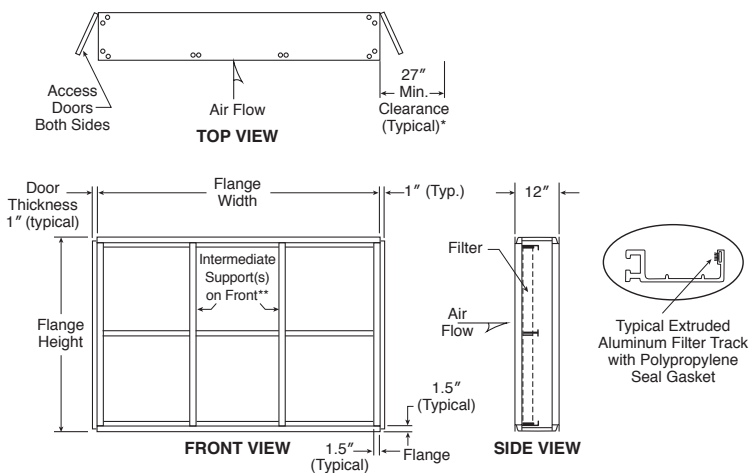
SurePleat™ Side Access Filter Housings

Performance Data

Height Code	Overall Flange Height (inches)	Face Velocity (FPM)	CFM Capacities and Dimensions										
			Width Code										
			10W	15W	20W	25W	30W	35W	40W	45W	50W	55W	60W
			Overall Flange Width										
			23¾	34¾	46¾	58½	70½	81½	93½	104¾	116¾	128¼	140¾
05H	15	375	750	–	1500	–	2250	–	3000	–	–	–	–
		500	1000	–	2000	–	3000	–	4000	–	–	–	–
		625	1250	–	2500	–	3750	–	5000	–	–	–	–
10H	27	375	1500	2250	3000	3750	4500	5250	6000	6750	7500	8250	9000
		500	2000	3000	4000	5000	6000	7000	8000	9000	10000	11000	12000
		625	2500	3750	5000	6250	7500	8750	10000	11250	12500	13750	15000
15H	39	375	2250	–	4500	–	6750	–	9000	–	11250	–	13500
		500	3000	–	6000	–	9000	–	12000	–	15000	–	18000
		625	3750	–	7500	–	11250	–	15000	–	18750	–	22500
20H	51	375	3000	4500	6000	7500	9000	10500	12000	13500	15000	16500	18000
		500	4000	6000	8000	10000	12000	14000	16000	18000	20000	22000	24000
		625	5000	7500	10000	12500	15000	17500	20000	22500	25000	27500	30000
25H	62-7/8	375	3750	–	7500	–	11250	–	15000	–	18750	–	22500
		500	5000	–	10000	–	15000	–	20000	–	25000	–	30000
		625	6250	–	12500	–	18750	–	25000	–	27500	–	37500
30H	74-7/8	375	4500	6750	9000	11250	13500	15750	18000	20250	22500	24750	27000
		500	6000	9000	12000	15000	18000	21000	24000	27000	30000	33000	36000
		625	7500	11250	15000	18750	22500	26250	30000	33750	37500	41250	45000
35H	86-7/8	375	5250	–	10500	–	15750	–	21000	–	26250	–	31500
		500	7000	–	14000	–	21000	–	28000	–	35000	–	42000
		625	8750	–	17500	–	26250	–	35000	–	43750	–	52500
40H	98-7/8	375	6000	9000	12000	15000	18000	21000	24000	27000	30000	33000	36000
		500	8000	12000	16000	20000	24000	28000	32000	36000	40000	44000	48000
		625	10000	15000	20000	25000	30000	35000	40000	45000	50000	55000	60000

1. Height and width code: The first numeral represents the number of 24" x 24" filters high or wide. If 24" x 12" filters are also used in the height or width, the second numeral is "5".
2. Dimensions are based on using nominal size 24" x 24" and 24" x 12" filters. Select filters from capacity chart for 2" disposable filters; 2" or 4" PREpleat® filters; 6" RAH RigidAir™; or 4" PrecisionCell® mini-pleat filters.
3. For capacities other than those shown, ratio the face velocities.
4. Maximum recommended velocities: 2" disposable filters, 300 FPM; 2" pleated filters, 500 FPM; 4" pleated filters, 625 FPM; 4" PrecisionCell® filters, 625 FPM. 6" Rigid-Air™ and PrecisionCell® filters – see applicable capacity chart.

Construction details



*Allow 27" minimum clearance on one or preferably both sides for filter installations.

**Intermediate supports furnished on housings over 4 ft. wide.

PrecisionCell® and PREpleat® are registered trademarks of Flanders Corporation in the U.S.



9920 Corporate Campus Drive, Suite 2200, Louisville, KY 40223-5690
888.223.2003 Fax 888.223.6500 | aafintl.com

AAF Flanders has a policy of continuous product research and improvement and reserves the right to change design and specifications without notice.

©2017 AAF International and its affiliated companies.

ISO Certified Firm

AFP-1-348 01/17