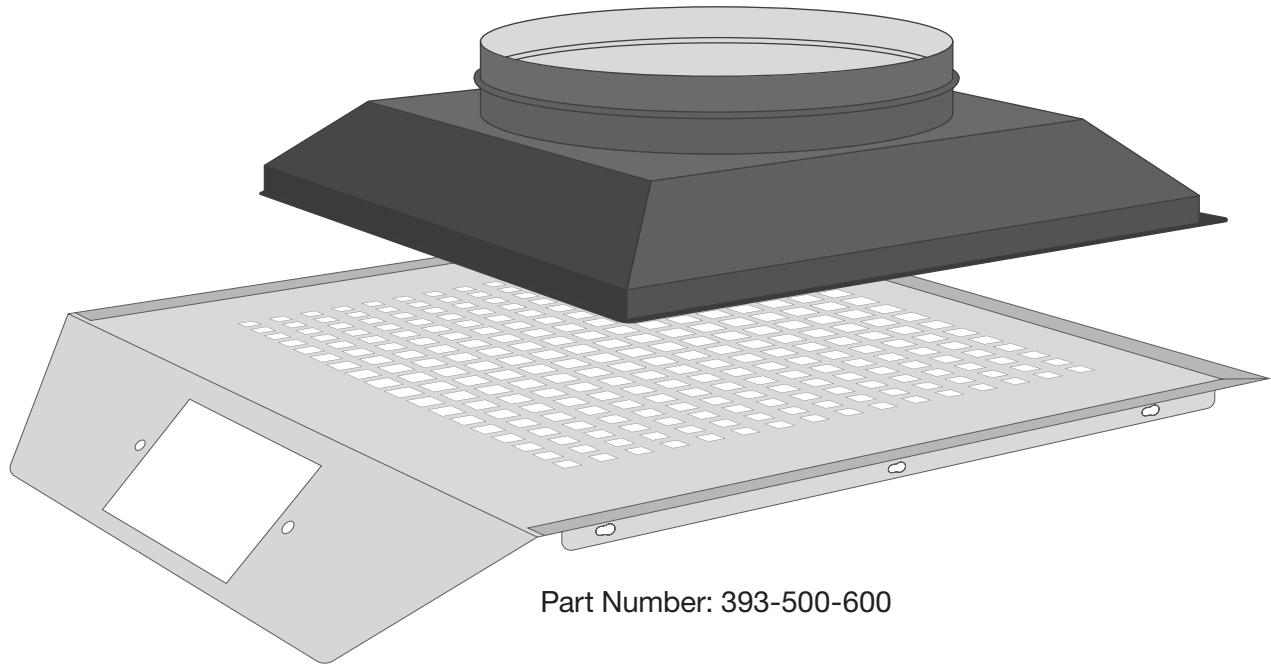




# AstroPure™ Exhaust Adaptor

**INSTALLATION, OPERATION, AND MAINTENANCE MANUAL**



Part Number: 393-500-600

## TABLE OF CONTENTS:

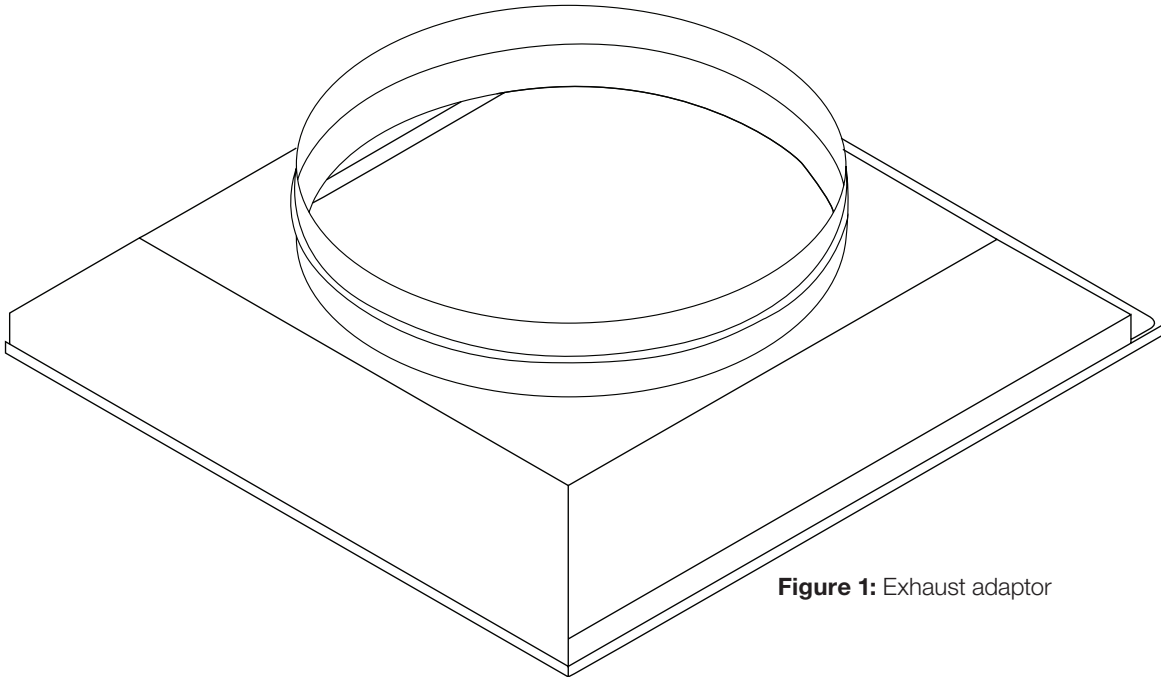
<b>Product Overview &amp; Installation Instructions</b> .....	2
Tools Needed .....	2
Knowing the Exhaust Adaptor.....	3
Installation .....	3
Step 1 .....	3
Step 2 .....	4
Step 3 .....	4
Step 4 .....	5
Step 5 .....	5
Connecting the Exhaust Pipe.....	6
Important Notes .....	6

## PRODUCT OVERVIEW & INSTALLATION INSTRUCTIONS

### Tools Needed

- Philips Screwdriver  
Unpack the exhaust adaptor (**Figure 1**) with care, checking to ensure it is free of any damage

**!** **CAUTION:** The exhaust adaptor has a rectangular base with multiple connection clips. It is recommended to use gloves when handling it to avoid risk of cuts or injuries.



**Figure 1:** Exhaust adaptor

## PRODUCT OVERVIEW & INSTALLATION INSTRUCTIONS (CONT'D)

### Knowing the Exhaust Adaptor

1. Connection clips - secure the exhaust adaptor onto the AstroPure™ unit.
2. Gasket – seals the exhaust adaptor to the AstroPure unit.

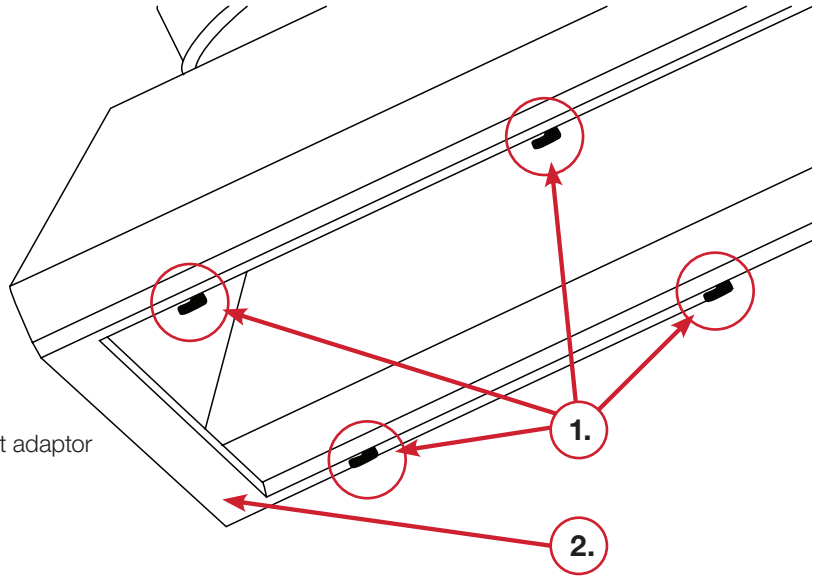


Figure 2: Exhaust adaptor

### Installation - Step-by-step Procedure

- STEP 1 Identify on the equipment's top panel (Figure 3) the two center screws at the rear of the unit.

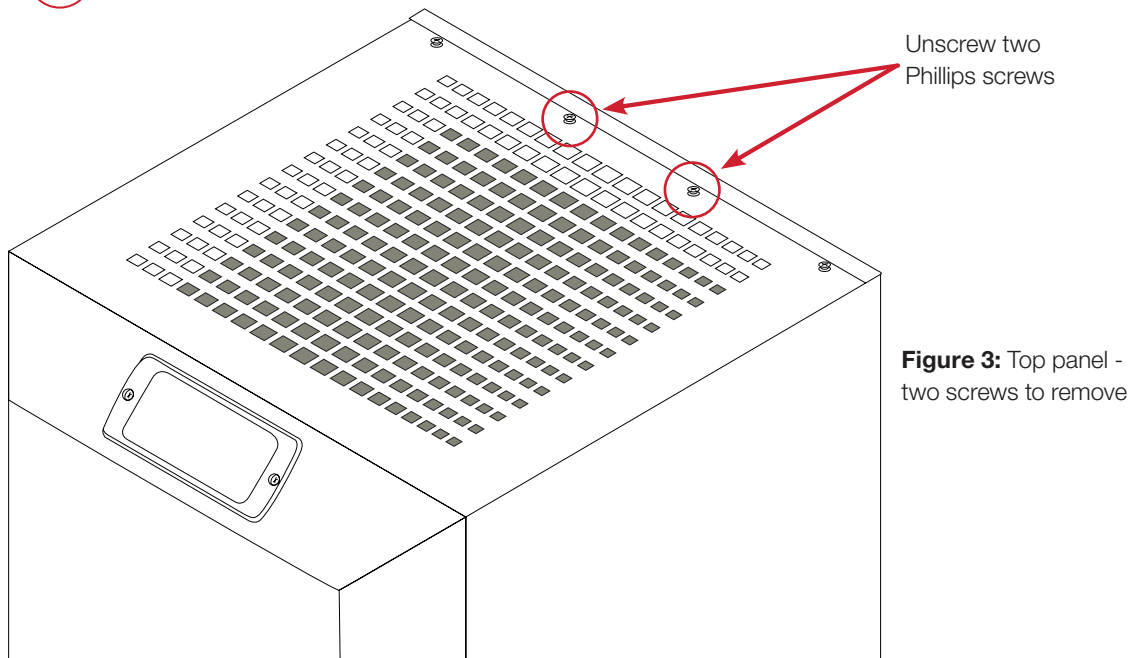


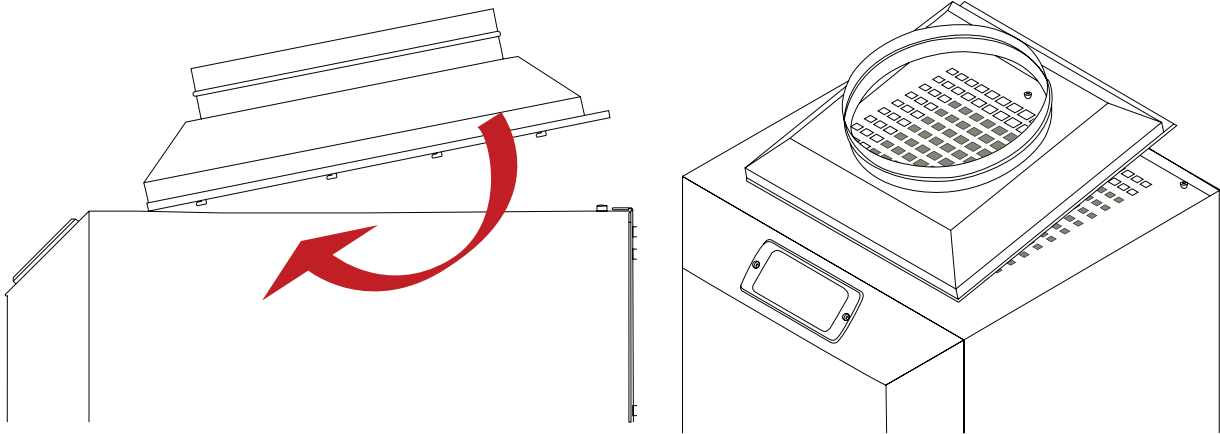
Figure 3: Top panel - two screws to remove

- STEP 2 Using the screwdriver, unscrew just the two center Phillips screws (there are four screws at the top of the rear panel, but it is necessary to remove only the two center ones). Save the two screws because they will be used again later.

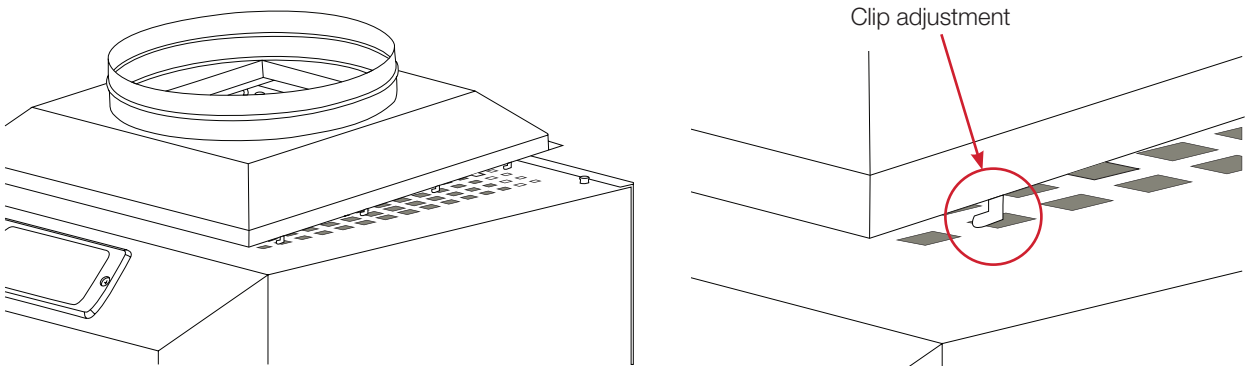
**Important note:** Depending on the exhaust adaptor model, it is recommended to release the screws on the back panel (maintenance door on the back of the unit) to facilitate the adaptor assembling and fixing.

# PRODUCT OVERVIEW & INSTALLATION INSTRUCTIONS (CONT'D)

**STEP 3** After removing the two center Philips screws, hold the exhaust adaptor at an angle and slide it on to insert the connection clips into the air exhaust grille (square perforations), as shown in **Figures 4, 5, 6, and 7.**



**Figures 4 and 5:** Exhaust adaptor - slide down (at an angle)

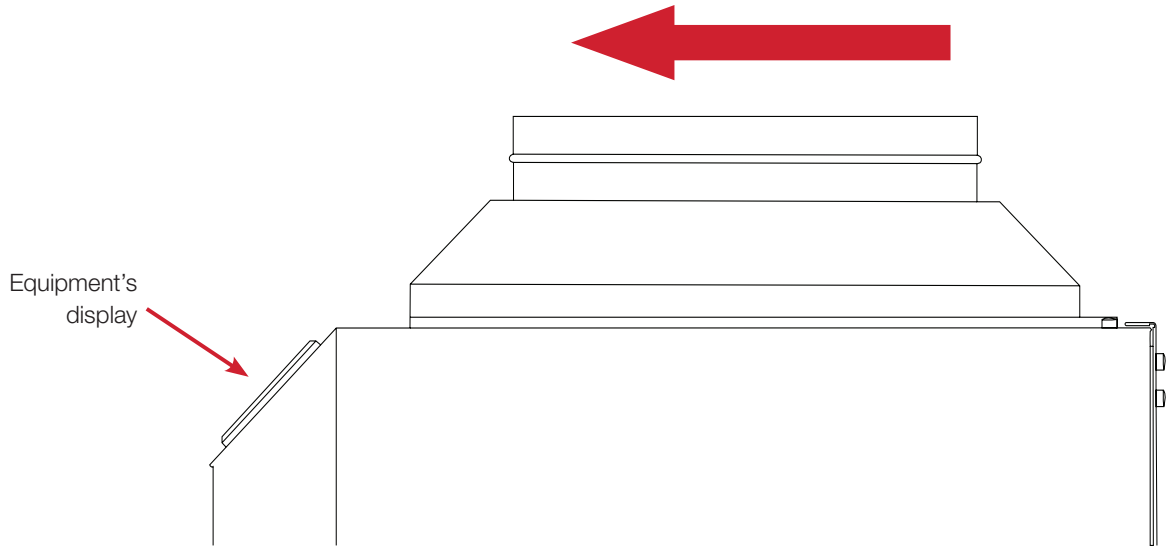


**Figures 6 and 7:** Exhaust adaptor - clip adjustments

NOTE: Carefully lower the adaptor to align the clips to the outlet perforations. Slide the clips into the outlet perforations to hold the exhaust adaptor in the correct position.

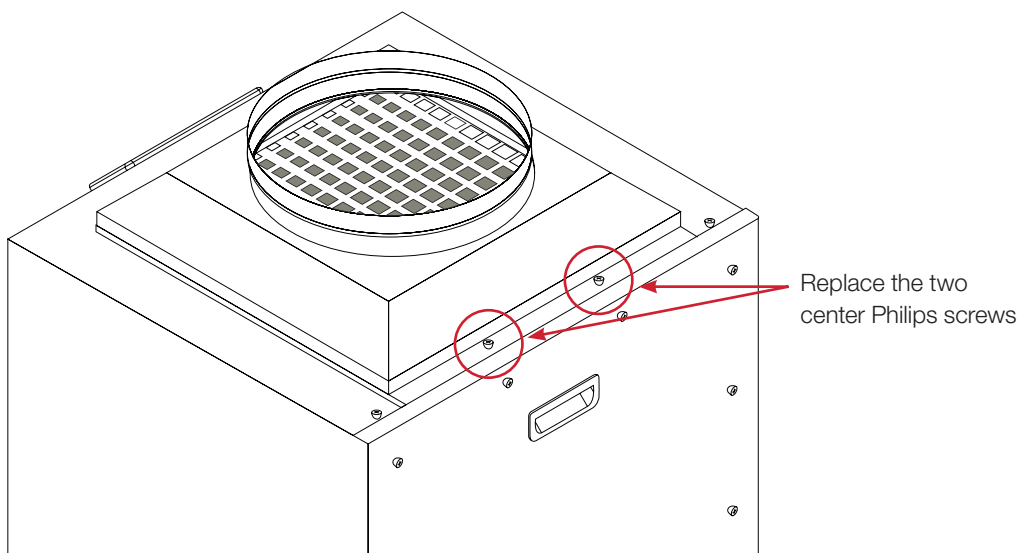
## PRODUCT OVERVIEW & INSTALLATION INSTRUCTIONS (CONT'D)

- STEP**  
**4** After aligning all clips, slide the exhaust adaptor into position. Make sure that the fastening holes are aligned as depicted in **Figure 8**.



**Figure 8:** Exhaust adaptor adjustment

- STEP**  
**5** Replace the two Philips screws previously removed (Step 2) to secure the exhaust adaptor onto the AstroPure™ top panel. **Figure 9**.



**Figure 9:** Securing the exhaust adaptor

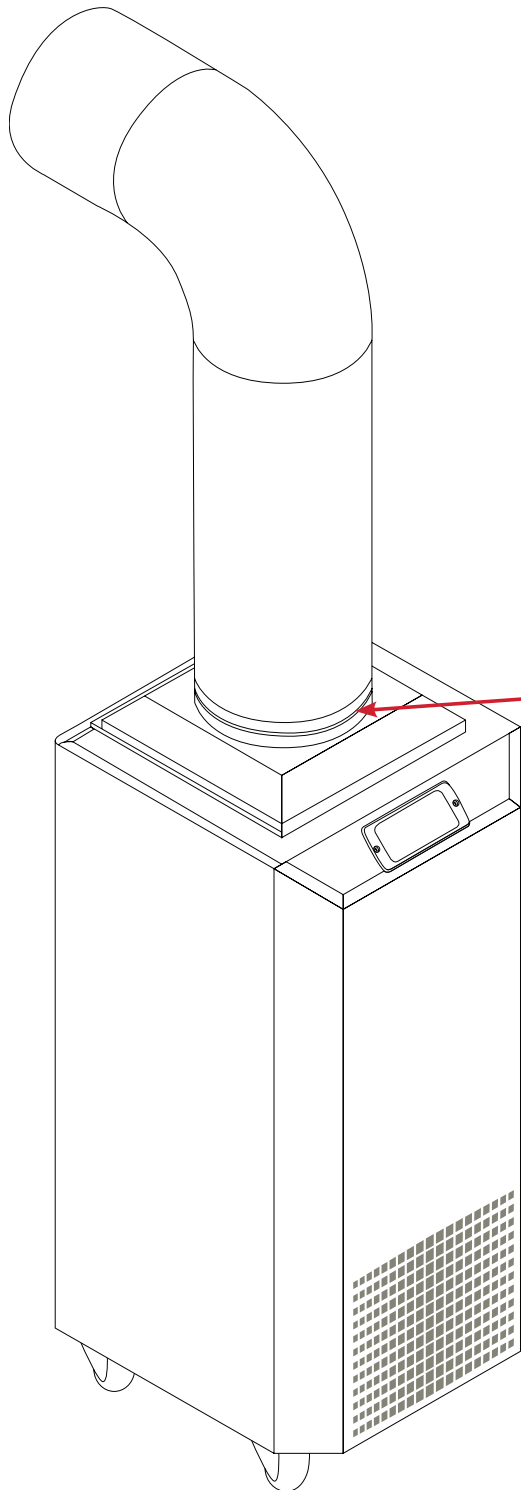
It is recommended to check eventual gaps in the assembling and seal it with appropriate sealant used in the HVAC industry (silicon or PU, for instance).

## PRODUCT OVERVIEW & INSTALLATION INSTRUCTIONS (CONT'D)

Connecting the exhaust duct:

**Important:** Exhaust duct, clamps, and additional components and hardware are not included.

**Figure 10** shows a 12" duct as a reference and doesn't represent any specific installation instruction method.



**Figure 10:** 12" exhaust duct and connection

### Important notes:

- 1) After installing the exhaust duct, make sure the duct is well secured and adequately sealed to avoid any air leakage.
- 2) Duct length, reduction in duct diameter, number of duct bends, and obstructions in the duct can reduce or compromise the AstroPure air flow rate. The AstroPure unit is designed to perform up to 0.4" WG additional pressure drop (i.e., system resistance). Any additional pressure drop greater than 0.4" WG can impact the noise level and/or air flow rate.

For Technical or Application Questions:

Email: [astropure@aafintl.com](mailto:astropure@aafintl.com)



## AAF International Plant Locations

AAF, the world's largest manufacturer of air filtration solutions, operates production, warehousing and distribution facilities in 22 countries across four continents. With its global headquarters in Louisville, Kentucky, AAF is committed to protecting people, processes and systems through the development and manufacturing of the highest quality air filters, filtration equipment, and associated housing and hardware available today.

Contact your local AAF Flanders representative for a complete list of AAF Flanders Air Filtration Product Solutions.

### Americas

Louisville, KY  
Atlanta, GA  
Ardmore, OK  
Bartow, FL  
Columbia, MO  
Fayetteville, AR  
Hudson, NY  
Momence, IL  
Smithfield, NC  
Tijuana, Mexico  
Votorantim, Brazil  
Washington, NC

### Europe

Cramlington, UK  
Gasny, France  
Vitoria, Spain  
Ecoparc, France  
Trencin, Slovakia  
Vadstena, Sweden  
Vantas, Finland

### Asia & Middle East

Riyadh, Saudi Arabia  
Shah Alam, Malaysia  
Suzhou, China  
Shenzhen, China  
Miaoli, Taiwan  
Bangalore, India  
Noida, India  
Yuki, Japan (Nippon Muki)

**AAF | Flanders®**

Bringing clean air to life.®

9920 Corporate Campus Drive, Suite 2200, Louisville, KY 40223-5690  
888.223.2003 Fax 888.223.6500 | [aafintl.com](http://aafintl.com)

AAF Flanders has a policy of continuous product research and improvement. We reserve the right to change design and specifications without notice.

©2021 AAF International and its affiliated companies.

ISO Certified Firm

AFP-3-107 8/21