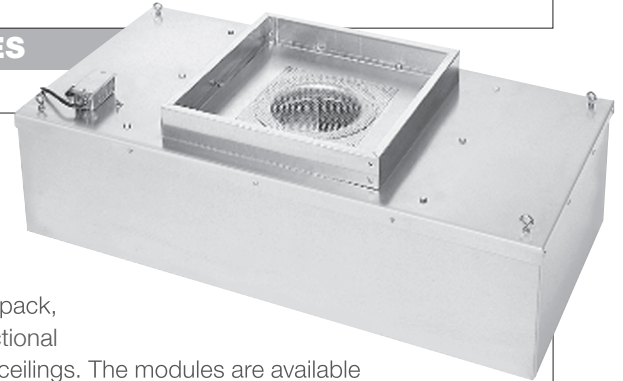


# Pureflo™ FPM

## FAN-POWERED TERMINAL FILTER MODULES



- Extremely quiet fan/motor assembly
- HEPA/ULPA filters are replaceable
- Filters are scan tested after assembly to meet or exceed IEST RP-1 requirements for Type C and F filters
- DimplePleat® separatorless filter pack for a lightweight and low-profile design
- Lightweight and corrosion-resistant housing

### Performance

Pureflo FPM modules produce HEPA or ULPA filtered air at a velocity of 90 FPM, and 15 FPM six inches below the filter face. When using the solid state speed control, the sound level 30" from the filter face is approximately 53 dbA (nc45) at a 90 FPM average face velocity, and an ambient sound level of 25 dbA.

### Options

- 10" or 12" duct collar
- HEPA or ULPA mini-pleat panel filter
- Pleated prefilter (module with duct collar cannot also include prefilter)
- Power cord for 115V modules
- 220V 50/60 Hz fan motor or 277V 60 Hz fan motor
- Power indicator light

Pureflo FPM fan-powered terminal filter modules are lightweight unitized low-profile units consisting of a fan/motor assembly and a mini-pleat HEPA/ULPA filter pack, designed to provide unidirectional vertical airflow from tee-bar ceilings. The modules are available in two sizes: nominal 24" x 24" and 24" x 48". Module efficiencies are 99.99% on 0.3 micron particles or 99.9995% on 0.12 micron particles.

### Application & Installation Considerations

Pureflo FPM modules are recommended for use in cleanroom applications for fabrication of microelectronics, semiconductors, and medical devices. The filters are table-top replaceable with the entire unit removed from the ceiling.

Modules include threaded inserts with 1/4" eyebolts at each top corner for the attachment of seismic restraint wires. Polyfoam gasket material should be applied to the tee-bar surfaces on which the modules rest.

### Standard Construction

**HEPA Filter:** Separatorless mini-pleat with water-resistant microfibre fiberglass media 2.1" (53 mm).

**Fan Housing:** Mil finish .063" aluminum.

**Protective Grille:** Expanded 20 ga. steel, white powder-coated.

**Prefilter:** Washable 20 ppi foam (pleated prefilter optional).

**Integral Fan/Motor Assembly:** Backward-curved fan with sealed bearings, direct-driven by a 115 volt single phase 1/3 HP PSC continuous duty thermally protected motor.

**Speed Control:** A solid state speed control is also standard on all voltages.

# Pureflo™ FPM Filter Modules

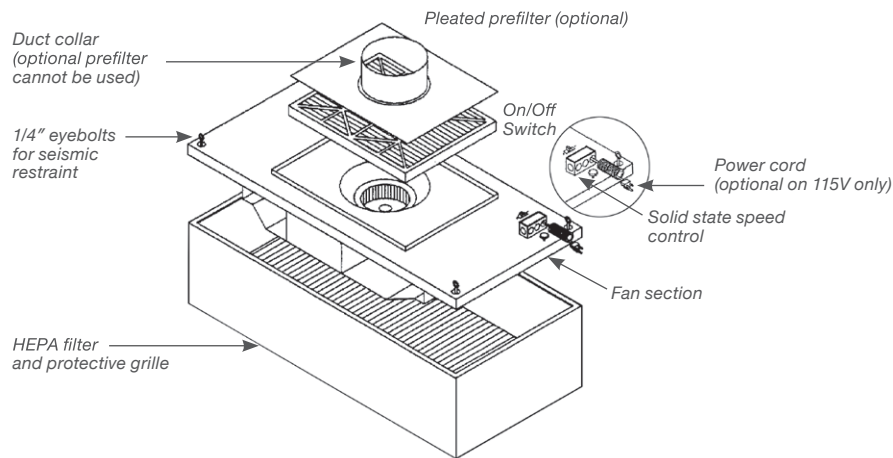
## Product Information

Replaceable Module Model Number	Particle Size Efficiency %	Length (inches)		Rated SCFM @ 90 FPM	Typical 115V Running Amps	Sensible Heat Output, BtuH	Max. Avail. Static Press. for Prefilter, in. w.g.
		Module Top	Module Bottom				
PF-FPM-493-2424-STD	99.99 0.3 µm	23.87	23.63	360	1.68	659	0.86
PF-FPM-493-2448-STD		47.87	47.63	720	2.04	800	0.72
PF-FPM-591-2424-STD	99.9995 0.12 µm	23.87	23.63	360	1.89	742	0.76
PF-FPM-591-2448-STD		47.87	47.63	720	2.11	828	0.57

Maximum Available Static Pressure based on 80% of nominal air quantity.

All fan motors are 1/3 hp single phase, 1570 RPM at 115, 230 and 277V 60Hz, and 1310 RPM at 230V 50Hz. Full load amps: 2.4 at 115V, .94 at 230V and 277V, 60Hz.

Typical weight: 24 x 24 = 44 lbs; 24 x 48 = 66 lbs.



DimplePleat® is a registered trademark of Flanders Corporation in the U.S.



9920 Corporate Campus Drive, Suite 2200, Louisville, KY 40223-5690  
888.223.2003 Fax 888.223.6500 | aafintl.com

AAF Flanders has a policy of continuous product research and improvement and reserves the right to change design and specifications without notice.

©2017 AAF International and its affiliated companies.

ISO Certified Firm

AFP-1-372C 05/20