

FASeal™ Frame

DURABLE HOLDING FRAMES

The FASeal Frame has a unique design that makes filter installation simple and quick. Clips aren't necessary, and the attached compression catches will not rust as they hold the filter in place. This frame will hold a variety of filters, including DriPak® 2000, AmerSeal®, VariCel®, PerfectPleat® ULTRA, and MEGApleat® M8. The FASeal Frame is designed for built-up modular filter banks to support HVAC grade air filtration for commercial buildings, educational facilities, food and beverage facilities, and industrial processing.

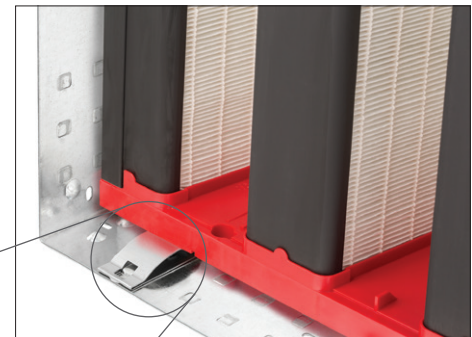
- Frames available in 18-gauge stainless steel and 16-gauge galvanized steel
- Stainless spring steel compression catches won't rust and are permanently attached
- Pre-drilled frame-to-frame installation holes allow fast and secure built-up filter bank assemblies
- Will hold many types of filters, including any single header product alone, or in combination with a 2" or 4" prefilter, as well as 2" and 4" stand-alone filters with no header

Durable Design

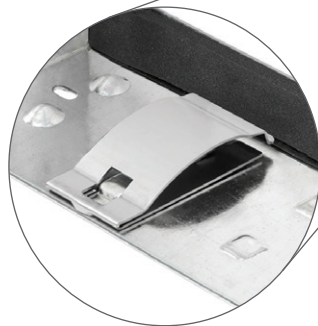
With four integral stainless spring steel compression catches permanently attached to the FASeal Frame, a variety of filters are easy to install and the need for clips is eliminated. The catches retain compression strength for years of service life and do not rust. These catches apply uniform pressure against the gasket, ensuring that the filter stays in place. No clips are necessary. Both 18-gauge stainless steel frames and 16-gauge galvanized steel frames are available.

Premium Gasketing

This frame has premium EPDM rubber gasketing. This gasketing, including a 3/4" sealing flange, ensures a proper seal to minimize dirty air bypass, with an overlapping seal to eliminate air bypass at the frames' corners.



FASeal Frame with VariCel® VXL



Spring Steel Compression Catch

FASeal™ Frame

Product Information

Part Number	A	B	Material
3109372-001	24	24	Stainless Steel
3109372-002	12	24	Stainless Steel
3109372-003	20	24	Stainless Steel
3109372-004	16	20	Stainless Steel
3109372-005	16	25	Stainless Steel
3109372-006	20	20	Stainless Steel
3109372-007	20	25	Stainless Steel
3109372-008	24	24	Galvanized Steel
3109372-009	12	24	Galvanized Steel
3109372-010	20	24	Galvanized Steel
3109372-011	16	20	Galvanized Steel
3109372-012	16	25	Galvanized Steel
3109372-013	20	20	Galvanized Steel
3109372-014	20	25	Galvanized Steel

Gasket Materials

$\frac{3}{16}$ " thick x $\frac{3}{4}$ " wide "Exclusive EPDM" rubber

Actual frame dimensions are the same as the nominal size. Frame tolerances are as follows:

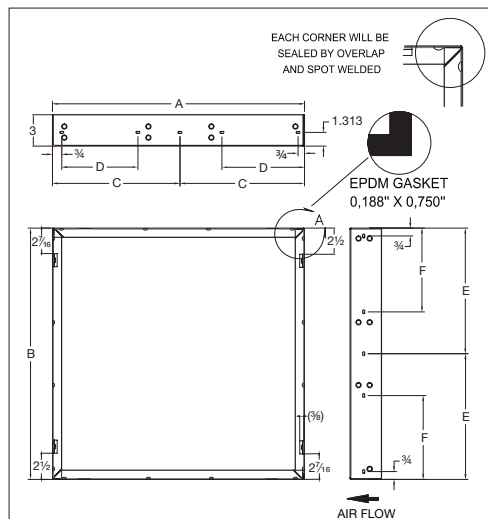
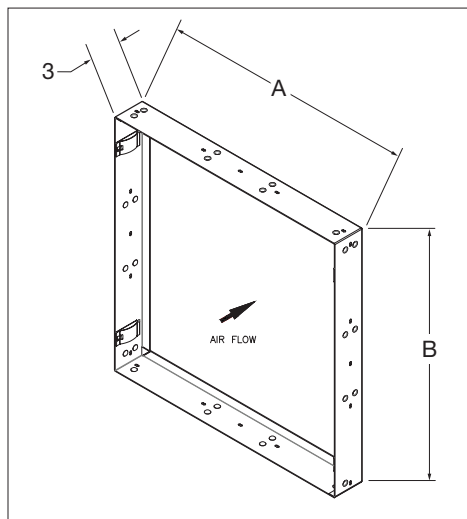
Face dimensions, $+0$ ", $-\frac{1}{16}$ "

Frame depth, $\pm \frac{1}{8}$ "

Application Guide

FASeal Frames are designed to be direct replacements for competitive frames. FASeal Frames are "Clip Free" and require no additional clips. Filter combinations are limited to the following:

1. A single header product by itself
2. A single header product with a 2" or 4" pleat
3. A 1", 2" or 4" pleat by itself



VariCel® is a registered trademark of AAF International in the U.S. and other countries.



9920 Corporate Campus Drive, Suite 2200, Louisville, KY 40223-5690
888.223.2003 Fax 888.223.6500 | aafintl.com

AAF Flanders has a policy of continuous product research and improvement and reserves the right to change design and specifications without notice.

©2017 AAF International and its affiliated companies.

ISO Certified Firm

AFP-1-100A 01/17