

FASeal™ M Grid

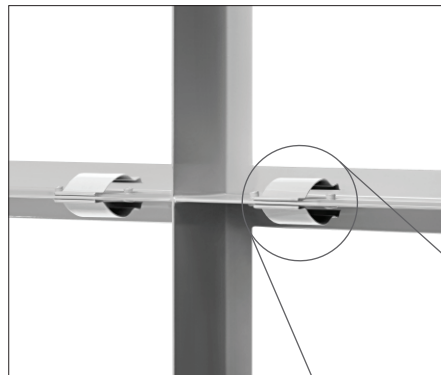
BUILT-UP GRID BANKS FOR AGRICULTURE

The FASeal™ M Grid has a unique design that makes filter installation simple and quick. Separate clips aren't necessary, since the fully integrated compression catches hold the filters firmly in place. This grid will hold a variety of filters, including VariCel® VXL, BioceI® VHXL, PerfectPleat® and PerfectPleat® ULTRA. The FASeal M Grid is welded together to create leak-free filter housings, ideal for agricultural applications.

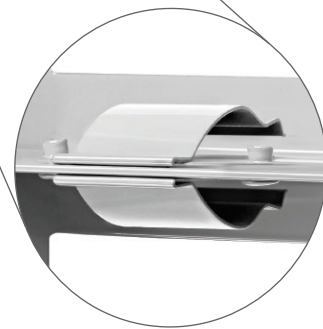
- Grids available in 18-gauge stainless steel
- Stainless spring steel compression catches won't rust and are permanently attached
- Will hold many types of filters, including any single header product alone, or in combination with a 2" or 4" prefilter, as well as 2" and 4" stand-alone filters with no header

Durable Design

With six integral stainless spring steel compression catches fully integrated into the FASeal M Grid, a variety of filters are easy to install and separate clips aren't required. The catches retain compression strength for years of service life and do not rust. An 18-gauge stainless steel grid is available.



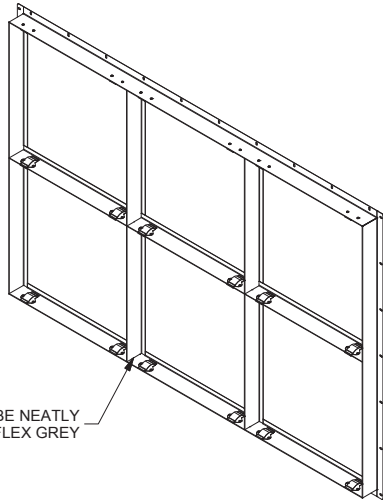
Spring Steel
Compression Catch



FASeal™ M Grid

Application Guide

FASeal M Grids are designed to be direct replacements for competitive grids. The fully integrated compression catches eliminate the need for separate clips.



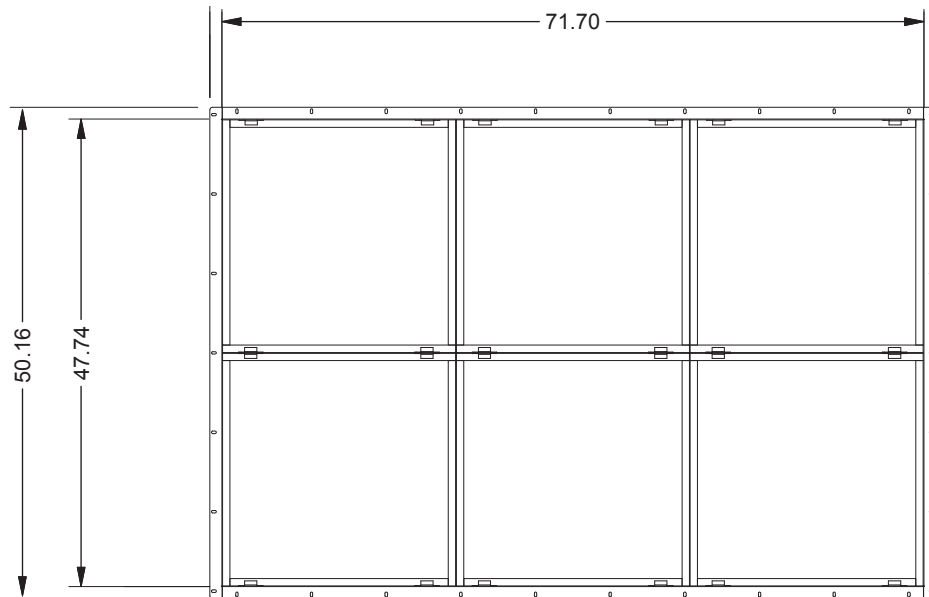
ALL SEAMS SHOULD BE NEATLY CAULKED WITH SIKAFLEX GREY

Product Information

Part Number	Configuration	Nominal Size
15222-FG-101	3H x 2W	72" x 48"
15222-FG-103	2H x 3W	48" x 72"

Additional configurations available upon request.

NOTE: Customer must indicate whether grid will be installed in vertical or horizontal orientation, which will determine proper placement of compression clips.



3 x 2 grid depicted.

Multiple configurations available.

VariCel® is a registered trademark of AAF International in the U.S. and other countries.



Bringing clean air to life.®

9920 Corporate Campus Drive, Suite 2200, Louisville, KY 40223-5690
888.223.2003 Fax 888.223.6500 | aafintl.com

AAF Flanders has a policy of continuous product research and improvement. We reserve the right to change design and specifications without notice.

©2020 AAF International and its affiliated companies.

ISO Certified Firm

12/20 AFP-1-119B