



Better Air is Our Business®

AmericanAirFilter® Type W RotoClone®

**Wet Centrifugal Collector
Food Quality Design**

A combination dust collector and fan, the Type W RotoClone® is a dust control favorite of food processors, pharmaceutical manufacturers, and other industries that require a high degree of cleaning.

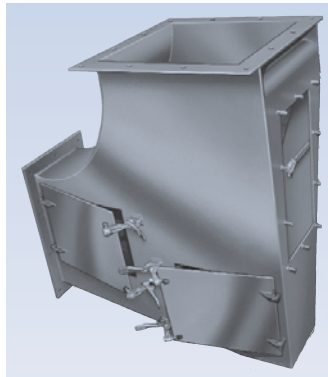


Food Quality Features

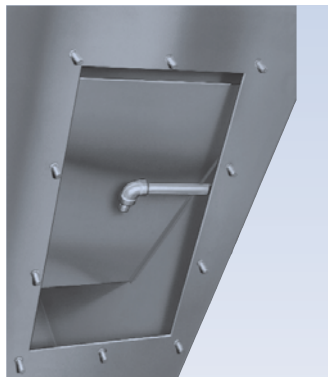
In addition to stainless steel construction, the food quality design Type W RotoClone® includes handy access doors for easier cleaning and inspection, spray nozzles for improved flushing during operation, and elimination of surface areas where material can accumulate.

90 Degree Outlet

The food quality 90 degree outlet has the standard drain plus three additional access openings, two quick opening doors and one bolted plate, for complete accessibility to all internal surfaces. Also included are two spray nozzles positioned to flush surfaces that may be subject to material build-up.



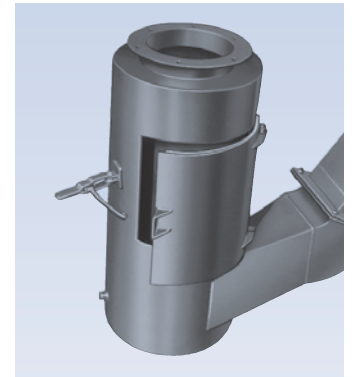
The 90 degree outlet elbow has two access doors.



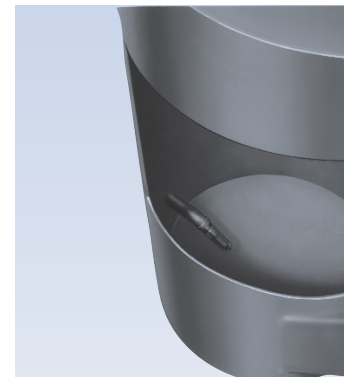
Spray nozzles in the 90 degree outlet enhance cleaning.

Expansion Chamber

The food quality expansion chamber on the Type W RotoClone has a flanged inlet and outlet that can be easily removed for cleaning. A quick release access door and a spray nozzle positioned for additional flushing are also provided.



The expansion chamber can be removed for thorough cleaning and inspection.

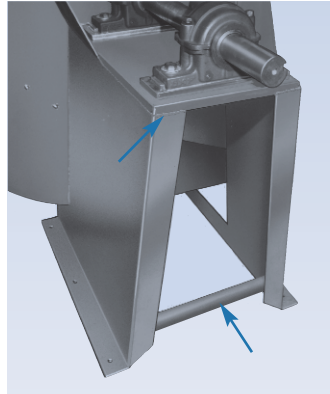


A spray nozzle speeds cleaning of the expansion chamber.

Type W RotoClone®

Bearing Pedestal

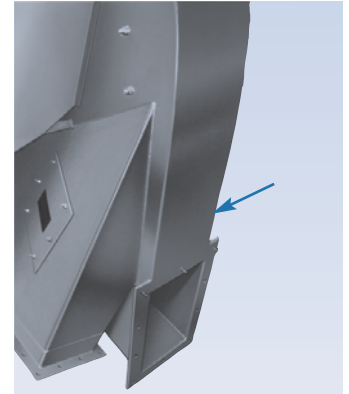
To eliminate flat surfaces that attract material build-up, the food quality design uses ½" plate with schedule 40 pipe rather than standard reinforced bearing plate with angle iron stiffeners.



The bearing pedestal is designed for easy wash down with round pipe for reinforcement.

Housing Wrapper Panel

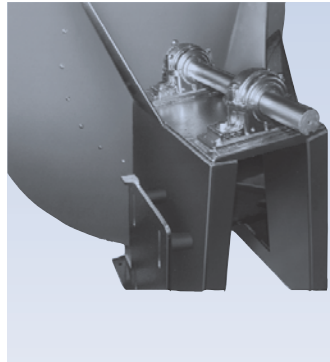
The wrapper panel on the food quality design Type W RotoClone has a smooth welded panel at the discharge to seal the pocket rather than the standard flat area.



At the housing panel discharge, a welded panel is added to seal the pocket.

Arrangement 9 Motor Mount

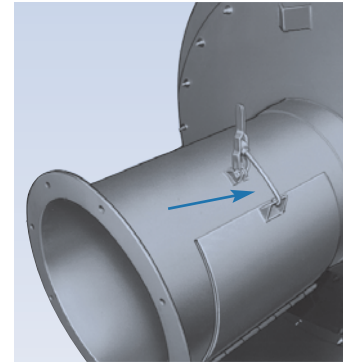
The food quality design motor mount is specially constructed to allow for complete drainage after wash down.



The motor mount was designed to drain completely.

Inlet Housing

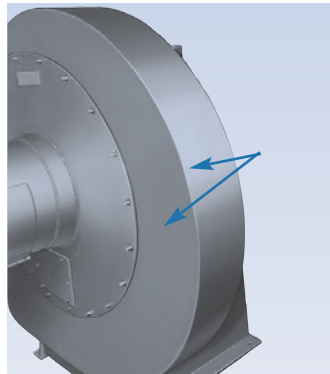
The inlet housing on the food quality design has a quick release tension clamp rather than the standard latch. This provides a positive seal and easy access.



The inlet housing uses a tension clamp for quick access and a positive seal.

Housing Wrapper

The food quality design housing wrapper is fitted to the ends of the front and rear panels on the Type W RotoClone and solid welded. This eliminates the corners that are normally formed by recessing the housing wrapper between the front and rear panels.



There are no corners on the housing wrapper.

The food quality design Type W RotoClone is not designed to be used as process equipment as it does not meet 3A Sanitary Standards nor FDA construction standards.



© 10300 Ormsby Park Place Suite 600
Louisville, Kentucky 40223-6169

www.aafintl.com
Customer Service 800.477.1214
Fax 800.254.3019



AAF has a policy of continuous product research and improvement and reserves the right to change design and specifications without notice.

ISO Certified Firm

©2009 AAF International

The USGBC Member logo is a trademark owned by the U.S. Green Building Council and is used by permission.