



Better Air is Our Business®

AmericanAirFilter® DynaPure®

Mist Collector Model A-1

Designed for vertical mounting, the Model A-1 DynaPure Mist Collector is ideal for gear box vents on air compressors, vacuum pumps, or any machine with an oil reservoir which gives off mist as a result of gears operating at high speeds.

Unlike other DynaPure Mist Collectors which are remotely mounted and which employ ducting to remove aerosol mist as it is generated, the Model A-1 DynaPure Mist Collector is fitted with a 2 in. N.P.T. threaded male fitting for direct connection to the oil reservoir discharge orifice. Drainage is through the inlet connection allowing the collected oil to run directly back to the gear box sump.

Normal maintenance consists of periodically changing the throwaway filter liner.

Specifications

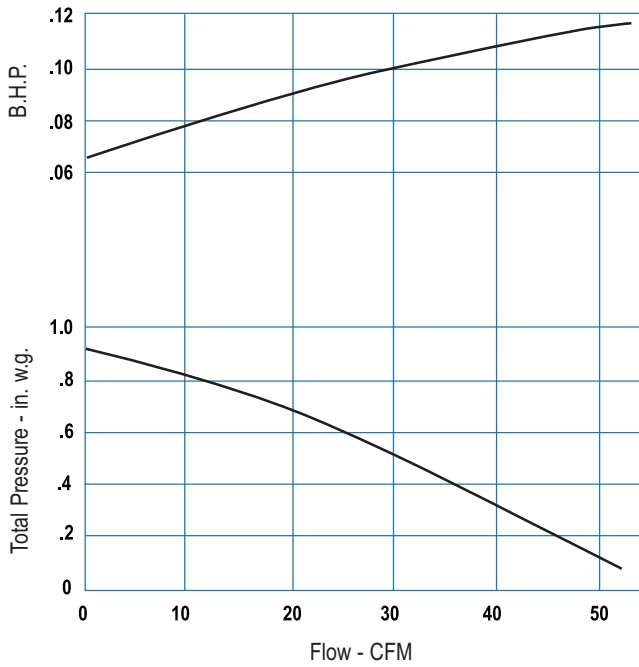
Rating Capacity	25 CFM
Motor Characteristics	
RPM	3450
HP	1/3
Motor Drive	Direct
Power Supply	115 / 230, 60, 1 230 / 460, 60, 3
Frame	56C
Enclosure	TENV
Shipping Weight Including Motor	40 lbs.
Inlet	2" NPT
Unit Overall Sound Pressure Level at 3 feet	58 dBA



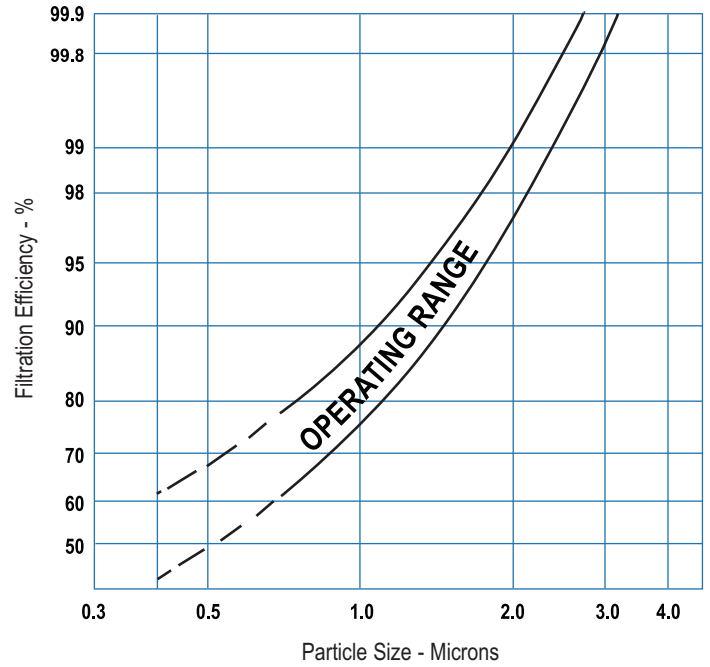
AmericanAirFilter®

DynaPure®

Airflow Curve (Operating)

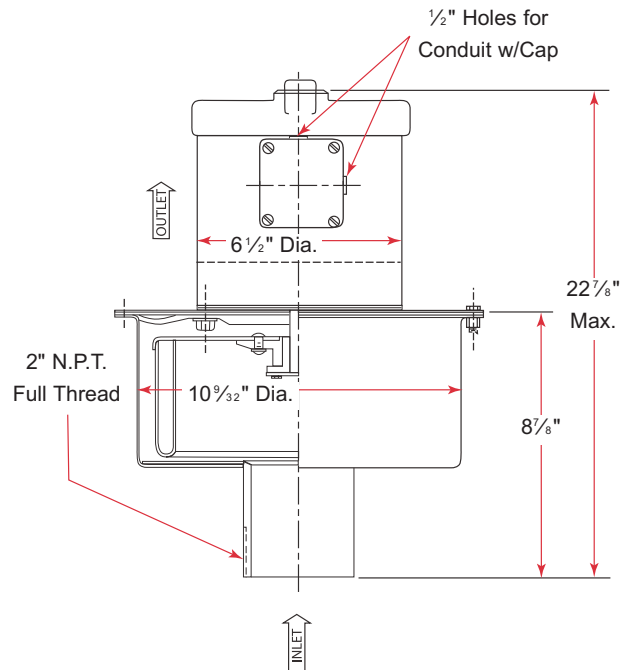
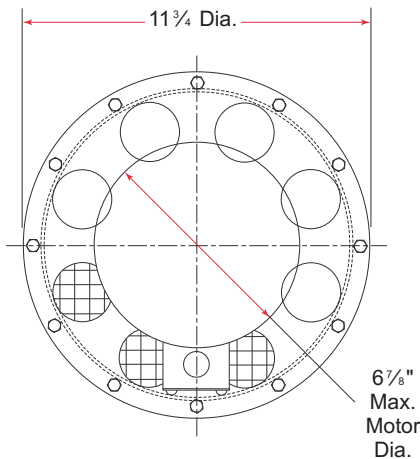


Efficiency Curve



Rated in an actual working condition with filter element saturated with oil.

Motor Shown 56C Frame 1/3 HP, TENV



DynaPure® is a registered trademark of AAF-McQuay Inc. in the U.S.